



LSI<sup>®</sup> SAS 9201-16i PCI Express<sup>®</sup> to  
6Gb/s Serial Attached SCSI (SAS)  
Host Bus Adapter

User Guide

Version 1.0  
August 2011

DB15-000855-00



## Revision History

Version and Date	Description of Changes
Version 1.0, August 2011	Initial release of this document.

LSI, the LSI & Design logo, and Fusion-MPT are registered trademarks of LSI Corporation or its subsidiaries. All other brand and product names may be trademarks of their respective companies.

Windows is a registered trademark of Microsoft Corporation. Linux is the registered trademark of Linus Torvalds in the U.S. and other countries. Solaris is a trademark of Oracle America, Inc. Red Hat and Enterprise Linux are registered trademarks of Red Hat, Inc. SUSE is a registered trademark of Novell, Inc. SPARC is a registered trademark of SPARC International, Inc.

LSI Corporation reserves the right to make changes to the product(s) or information disclosed herein at any time without notice. LSI Corporation does not assume any responsibility or liability arising out of the application or use of any product or service described herein, except as expressly agreed to in writing by LSI Corporation; nor does the purchase, lease, or use of a product or service from LSI Corporation convey a license under any patent rights, copyrights, trademark rights, or any other of the intellectual property rights of LSI Corporation or of third parties. LSI products are not intended for use in life-support appliances, devices, or systems. Use of any LSI product in such applications without written consent of the appropriate LSI officer is prohibited.

**Corporate Headquarters**  
Milpitas, CA  
800-372-2447

**Email**  
[globalsupport@lsi.com](mailto:globalsupport@lsi.com)

**Website**  
[www.lsi.com](http://www.lsi.com)

Document Number: DB15-000855-00  
Copyright © 2011 LSI Corporation  
All Rights Reserved

---

# Table of Contents

<b>LSI SAS 9201-16i PCI Express to 6Gb/s SAS HBA User Guide.....</b>	<b>4</b>
1 Overview .....	4
2 HBA Features .....	4
3 Functional Descriptions .....	4
3.1 PCIe .....	4
3.2 SATA + SAS .....	5
4 Operating System Support .....	5
5 LSI SAS 9201-16i HBA Characteristics .....	5
5.1 Flash .....	5
5.2 Connectors .....	5
5.3 Physical Characteristics .....	6
6 Electrical and Environmental Specifications .....	7
6.1 Electrical Characteristics .....	7
6.2 Thermal and Atmospheric Characteristics .....	7
6.3 Safety Characteristics .....	7
7 Hardware Installation .....	7
7.1 Quick Installation Instructions .....	8
7.2 Detailed Installation Instructions .....	8

---

# LSI SAS 9201-16i PCI Express to 6Gb/s SAS HBA User Guide

## 1 Overview

The LSI SAS 9201-16i PCI Express® (PCIe®)-to-Serial Attached SCSI (SAS) host bus adapter (HBA), hereinafter referred to as the LSI SAS 9201-16i HBA, provides high performance internal storage connectivity for servers and workstations. The LSI SAS 9201-16i HBA provides sixteen lanes of 6Gb/s SAS connectivity and eight lanes of PCIe 2.0 5Gb/s performance. The LSI SAS 9201-16i HBA is based on the Fusion-MPT™-architected LSI SAS 2116 controller that integrates the latest enhancements in PCIe 2.0 technology and 6Gb/s SAS technology.

The LSI SAS 9201-16i HBA has onboard Flash memory for the firmware and BIOS. The LSI SAS 9201-16i HBA also includes onboard DDR-2 SDRAM.

## 2 HBA Features

This section lists the LSI SAS 9201-16i HBA features.

- Implements one LSI SAS 2116 sixteen-port 6 Gb/s to PCIe 2.0 controller
- Supports eight-lane, full-duplex PCIe 2.0 performance
- Supports sixteen internal 6Gb/s SATA+SAS ports
- Supports SAS link rates of 1.5 Gb/s, 3.0 Gb/s, and 6.0 Gb/s
- Provides four x4 internal mini-SAS connectors (SFF-8087)
- Supports DDR-2 speeds up to 800 MT/s
- Supports passive cable
- Supports up to 512 SATA or SAS end devices
- Provides one heartbeat LED and two activity LED headers
- Provides a universal asynchronous receiver/transmitter (UART) debug/diagnostic port

## 3 Functional Descriptions

### 3.1 PCIe

PCIe is a high-speed standard local bus for point-to-point interfacing of I/O components to the processor and the memory subsystems in a high-end personal computer (PC). The LSI SAS 2116 controller chip contains the PCIe functionality for the LSI SAS 9201-16i HBA. The LSI SAS 2116 controller chip connects directly to the PCIe bus and generates timing and protocol in compliance with the PCIe specifications.

The LSI SAS 2116 controller chip JTAG signals are not connected to the corresponding signals in the PCIe connector. The following table shows the LSI SAS 9201-16i HBA 5Gb/s PCIe performance.

**Table 1 PCIe Aggregate Bandwidth**

Lanes	Single Direction	Dual Direction
Single-lane (x1)	5 Gb/s	10 Gb/s
Quad-lane (x4)	20 Gb/s	40 Gb/s
Eight-lane (x8)	40 Gb/s	80 Gb/s

## 3.2 SATA + SAS

The LSI SAS 2116 controller chip contains the SATA + SAS functionality for the LSI SAS 9201-16i HBA. The following table shows the LSI SAS 9201-16i HBA 6 Gb/s SAS performance.

**Table 2 6Gb/s SAS Bandwidths**

Half Duplex	Full Duplex
Narrow port (one lane), 600 MB/s	Narrow port (one lane), 1200 MB/s
Wide port (four lanes), 2400 MB/s	Wide port (four lanes), 4800 MB/s

## 4 Operating System Support

The LSI SAS 9201-16i HBA supports all major operating systems: Windows®, Linux® Red Hat®, Linux SUSE® Enterprise Server (SLES), Solaris™, VMware®, and FreeBSD®. Refer to <http://www.lsi.com/channel/ChannelDownloads> for details on the software versions and device driver support. For Solaris support, contact the LSI® Technical Support team.

## 5 LSI SAS 9201-16i HBA Characteristics

### 5.1 Flash

The LSI SAS 9201-16i HBA has onboard Flash ROM for the firmware and BIOS. The LSI SAS 9201-16i HBA provides one 4 M x 16-bit Flash ROM for storing the firmware and the BIOS.

## 5.2 Connectors

This section describes the different connectors on the LSI SAS 9201-16i HBA. See [Figure 1](#) for connector locations.

**PCIe Connector (EC1).** The LSI SAS 9201-16i HBA supports a x8 interface. The PCIe connection is through the edge connector, EC1, which provides connections on both the top (EC1B) and bottom (EC1A) of the board. The signal definitions and pin numbers conform to the PCIe specification.

**SAS Connectors (J6, J7, J8, and J9).** The LSI SAS 9201-16i HBA supports SAS connections through four SFF-8087 mini-SAS, internal, right-angle connectors.

**Activity LED Header (J4 and J5).** The LSI SAS 9201-16i HBA has two 4-pin, right-angle, 0.1-in. pitch headers for driving external activity LEDs. The LEDs on header J4 correspond to activity on Port C and Port D. Header J5 corresponds to activity on Port A and Port B.

**Table 3 LSI SAS 9201-16i LED Header Pinout**

Pin	J4 Header Function	J5 Header Function
1	3.3 V	3.3 V
2	Port C	Port A
3	Port D	Port B
4	3.3 V	3.3 V

**UART Connector (J1).** The UART connector debug port requires a special cable and LSI support to gather detailed Input/Output Controller (IOC) status.

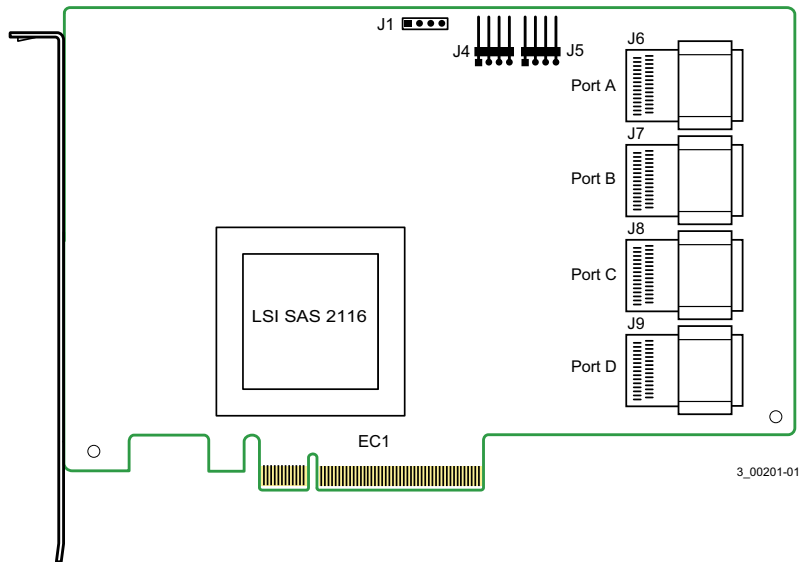
**Table 4 LSI SAS 9201-16i UART Pinout**

Pin	Function
1	UART_TX
2	Gnd
3	UART_RX
4	3.3 V

## 5.3 Physical Characteristics

The LSI SAS 9201-16i HBA is a 6.6-in. x 4.2-in. board. The component height on the top and bottom of the LSI SAS 9201-16i HBA is in accordance with the PCIe specification. The following figure shows the board connectors.

**Figure 1 LSI SAS 9201-16i Board Layout**



- EC1: PCIe x8-lane board edge connector
- J1: UART connection
- J4 and J5: 4-pin, right angle, 0.1-in. pitch, pin header for driving external activity LED
- J6, J7, J8, and J9: SFF-8087 mini-SAS, internal, right-angle connectors

## 6 Electrical and Environmental Specifications

The design and implementation of the LSI SAS 9201-16i HBA minimizes electromagnetic emissions, susceptibility to radio frequency energy, and the effects of electrostatic discharge. The board carries the CE mark, C-Tick mark, Canadian Compliance Statement, Korean KCC, Taiwan BSMI, Japan VCCI, and FCC Class B, and is marked with the FCC Self-Certification logo. The board also meets the requirements of CISPR Class B.

### 6.1 Electrical Characteristics

The maximum power requirements for the LSI SAS 9201-16i HBA under normal operation are as follows:

- PCIe 12.0 V = 2.08 A
- Power
  - Nominal = 12.92 W
  - Worst case = 24.94 W
- Operation range = 0 °C to 55 °C (32 °F to 131 °F)

---

## 6.2 Thermal and Atmospheric Characteristics

The atmospheric characteristics for the LSI SAS 9201-16i HBA are as follows:

- Temperature range: 0 °C to 55 °C (32 °F to 131 °F) (dry bulb)
- Relative humidity range: 5 percent to 90 percent noncondensing
- Maximum dew point temperature: 32 °C (89.6 °F)

The following parameters define the storage and transit environment for the LSI SAS 9201-16i HBA:

- Temperature range: –45 °C to +105 °C (–49 °F to +221 °F) (dry bulb)
- Relative humidity range: 5 percent to 90 percent noncondensing

## 6.3 Safety Characteristics

All LSI SAS 9201-16i HBAs meet or exceed the requirements of UL flammability rating 94V-0. Each bare board is marked with the supplier's name or trademark, type, and UL flammability rating. Because these boards are installed in a PCIe bus slot, all voltages are less than the SELV 42.4-V limit.

# 7 Hardware Installation

This section provides both quick instructions and detailed instructions on how to install your LSI SAS 9201-16i HBA.

## 7.1 Quick Installation Instructions

Use the following quick installation instructions to install your LSI SAS 9201-16i HBA if you are comfortable with the abbreviated installation instructions.

1. Unpack the HBA, and inspect it for damage.
2. Turn off the system, and disconnect any power cords.
3. Remove the cover from the chassis.
4. Insert the HBA into an available and appropriate-sized PCIe slot.
5. Secure the bracket to the system's chassis.
6. Connect serial cables between the HBA and any serial hard disk drives (HDDs). [Figure 1](#) shows the connector locations on your HBA.
7. Replace the cover and any power cords, and power up the system.

The hardware installation of your LSI SAS 9201-16i HBA is complete.

## 7.2 Detailed Installation Instructions

Detailed installation instructions for the LSI SAS 9201-16i HBA follow.

1. **Unpack the HBA, and inspect it for damage.** Unpack the HBA in a static-free environment. Remove the HBA from the antistatic bag and carefully inspect it for damage. If you notice any damage, or if any component is missing, contact LSI or your reseller support representative.



**ATTENTION** Make a backup of your data before changing your system configuration or you might risk data loss.

---



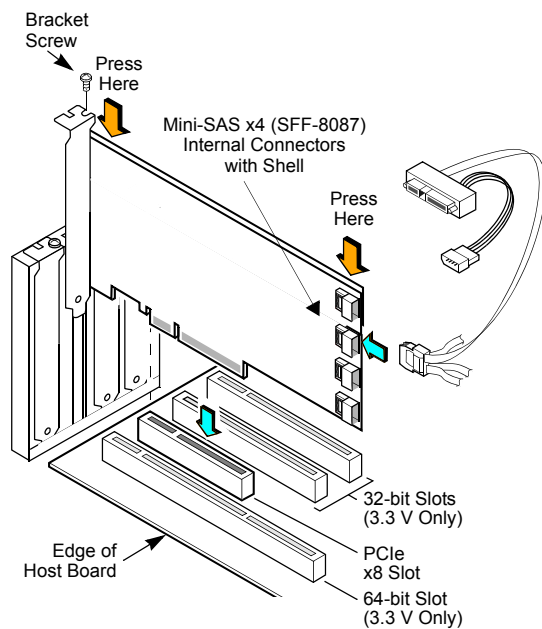
2. **Prepare the computer.** Turn off the computer, and disconnect the power cord from the rear of the power supply.
3. **Remove the cover from the chassis.**



**CAUTION** Disconnect the computer from the power supply and from any networks before you install the HBA, or you risk damaging the system.

4. **Insert the HBA in an available PCIe slot.** Locate an empty PCIe slot. Remove the blank bracket panel on the back of the computer that aligns with the empty PCIe slot. Save the bracket screw, if applicable.  
Align the HBA to the PCIe slot. Press down gently, but firmly, to properly seat the HBA in the slot. The following figure shows how to insert the HBA in a PCIe slot.

**Figure 2** Installing an LSI SAS 9201-16i HBA in a PCI Express Slot



**NOTE** The shape, size, and locations of components on your HBA and its bracket might vary from this illustration. The LSI SAS 9201-16i HBA requires a x8 PCIe slot.

5. **Secure the bracket to the system's chassis.** Install the bracket screw, if applicable, or engage the system retention mechanism to secure the HBA to the system's chassis.
6. **Connect serial cables between the HBA and any serial HDDs.** [Figure 1](#) shows the locations of the HBA connectors.
7. **Replace the cover and any power cords and power up the system.** Replace the chassis's cover, reconnect any power cords, and reconnect any network cables. Turn on the power.

The hardware installation of your LSI SAS 9201-16i HBA is complete.

